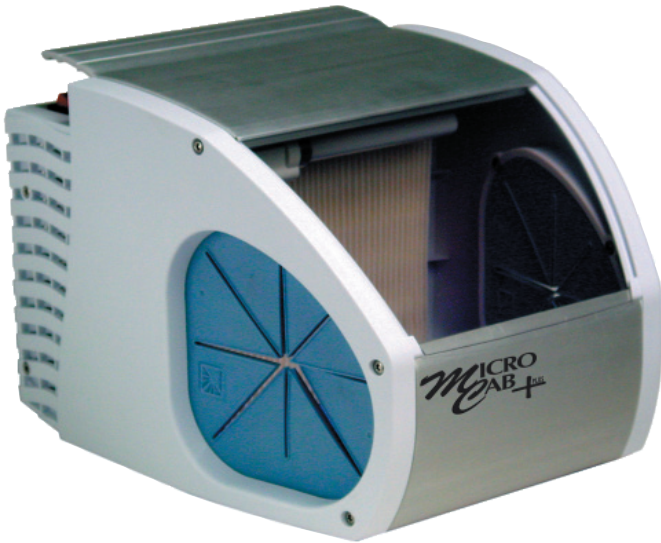


MicroCab+™



INSTRUCTIONS

The MicroCab+ Dust Cabinet, is ideal for sandblast dust and handpiece grinding containment. It features a built in suction/filter system, as well as a bright, fluorescent light for even illumination. The MicroCab+ is compact and portable, making it perfect for any lab or operatory.

USE

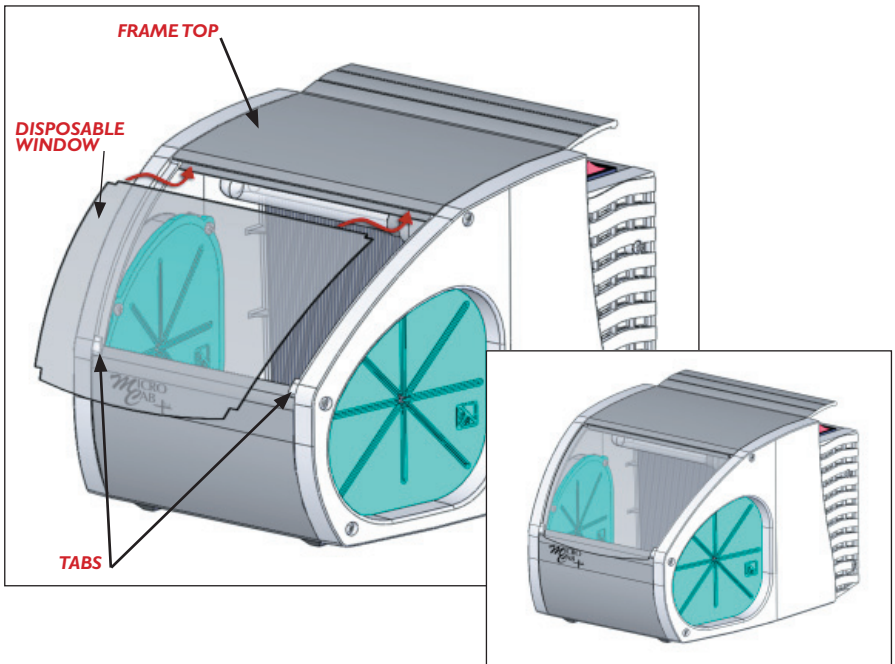
The MicroCab+ is shipped with the fluorescent light and power cord inside the unit. Prior to use, plug the fluorescent light into the socket located on the inside lid of the unit. Then connect the power cord to the inlet on the back (see figure 3) and into an electrical receptacle. The on/off switch under the integrated handle will operate the fluorescent light and suction/filter system.

When using the MicroCab+, only the fingertips with the MicroEtcher (or hand-piece) and the work need to be placed in the cabinet. Directing the abrasive spray towards the back of the cabinet will help contain the abrasive. It may tend to escape if the spray is directed towards a hand hole.

WINDOW INSTALLATION

Four disposable windows are supplied with the original kit. Each window has a blue protective film covering it, which must be removed prior to use. The windows are installed by sliding the wide section up under the metal frame top (see figure 1). By slightly bowing the window, the bottom corners are inserted into the tabs on the bottom of the window opening. Windows only need to be removed for replacement.

Figure 1



CLEANING

The MicroCab+ is easily opened for cleaning. (See figures 2 & 3)

1. Unplug the power cord from the inlet on the back of the cabinet.
2. Open the two latches on the back of the cabinet.
3. Remove the window.
4. Grasping the top handle, pull the filter and cabinet top straight up and out of the cabinet body.
5. Dump all debris out of the cabinet. The filter can be tapped against the sides of a trash pail. This allows powder trapped in the filter fins to fall. If the filter is removed from the filter assembly, reinstall it with the fins vertical.
6. Reinstall the filter assembly by sliding it down into the cabinet. Use care that the orange rubber of the filter slides behind the sealing fins that project into the cabinet. There is also a channel under the front of the cabinet lid that captures the small rod running across the cabinet frame. This assures proper alignment.
7. Reconnect the back cabinet latches and replace the window and power cord.

DISINFECTING

Once the filter assembly is removed the interior of the cabinet can be sprayed with disinfectant and wiped down.

Figure 2

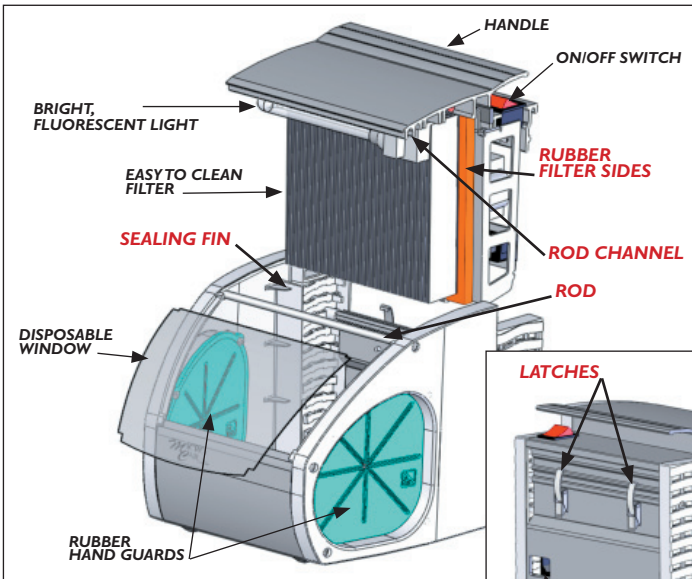
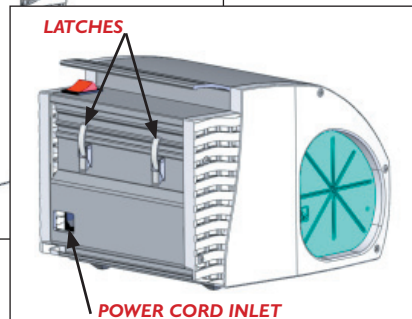


Figure 3





DANVILLE
M A T E R I A L S

3420 FOSTORIA WAY STE.A-200 SAN RAMON, CALIFORNIA 94583 USA
PHONE 800/827-7940 FAX 925/973-0764

91346 REVA